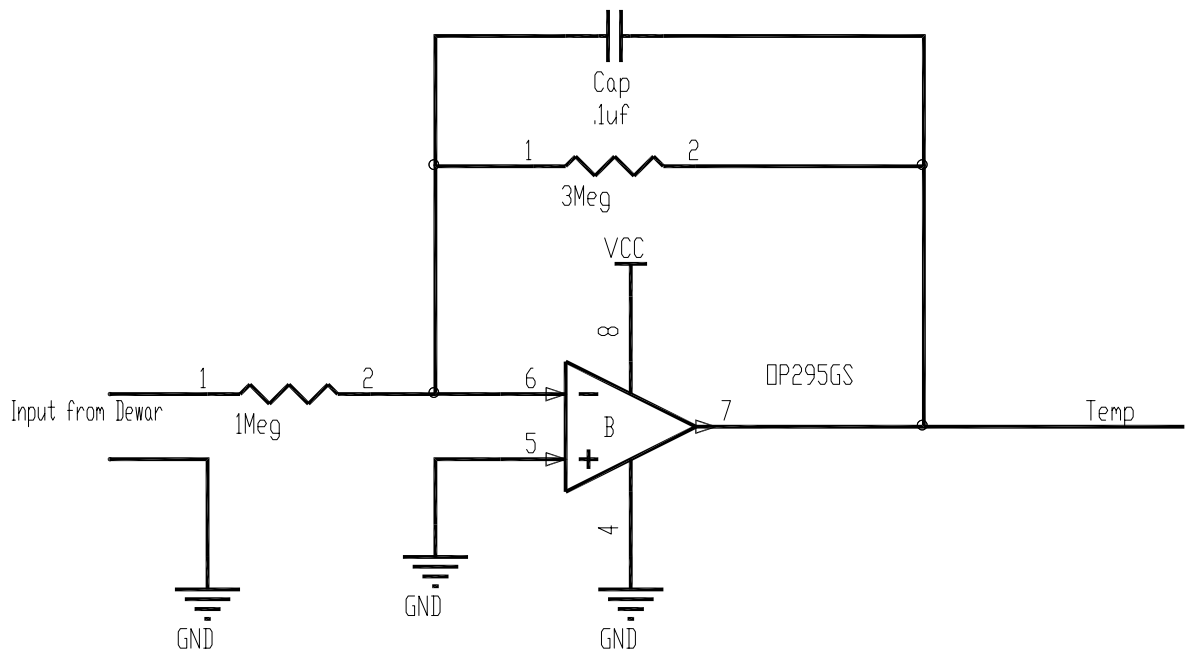


REVISIONS				
LTR	SYM	DESCRIPTION	DATE	APPR.
??	△	Initial Release	05/04/06	DGB



UNLESS OTHERWISE SPECIFIED		UNIVERSITY OF ARIZONA IMAGING TECHNOLOGY LABORATORY 210330 UA TUCSON, AZ 85721-0330 (520) 628-2078		
UNITS ARE IN <u> </u> INCHES <u> </u> METRIC		TITLE Mod to Header Board For Temp		
TOLERANCE	X.XX ± 0.010 ±0.5° X.XXX ± 0.003 ±0.003			
MATERIAL	THIN AIR @ 14.7 PSIA	DRAWN BY Dave Baxter	DWG NO. ITL1133	REV A
		INITIALS <i>DGB</i>	DATE 05/04/06	SHEET 1 OF 1